

### 6V 3.3AH Sealed Lead Acid Battery

The 'Online' range of sealed lead acid batteries are maintenance free, valve regulated and leak proof ideally suited to all 'standby applications'

There will be no loss in power output over the battery life.

Low self-discharge of about 2-3% per month compared with 20-30% for more common battery systems.

Quality construction with no compromise on materials to ensure a long service life.

Low internal resistance means a high discharge rate.

Wide operating temperature range operating between -15° C to +50 ° C when fully charged.



## Product Specification

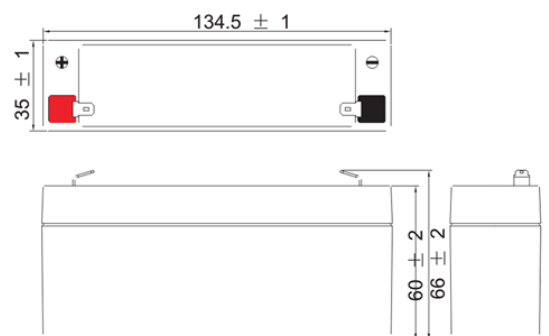
### General Specification

<b>Nominal Voltage</b>		6V
<b>Rated Cap</b>		3.3AH
<b>Approx Weight</b>		0.66kg
<b>Terminal</b>	<b>Standard</b>	F3-TAB 187E
	<b>Optional</b>	
<b>Operation Temperature</b>	<b>Charge</b>	0°C (32°F) - 40°C (104°F)
	<b>Discharge</b>	-20°C (-4°F) - 50°C (122°F)
	<b>Storage</b>	-20°C (-4°F) - 40°C (104°F)
<b>Capacity 25° (77°F)</b>	20 hour rate (0.165A)	3.3AH
	10 hour rate (0.297A)	2.97AH
	5 hour rate (0.528A)	2.64AH
	1 hour rate (1.98A)	1.98AH
<b>Capacity affected by temperature</b>	40°C (104°F)	103%
	25°C (77°F)	100%
	0°C (32°F)	86%
	-15°C (5°F)	65%
<b>Self-Discharge at 25°C (77°F) (Before recharge)</b>	Capacity after 3 month	91%
	Capacity after 6 month	82%
	Capacity after 12 month	64%
<b>Constant voltage charge</b>	<b>Cycle</b>	Initial Charging Current ≥0.99A 7.2V - 7.5V at 25°C (77°F)
	<b>Standby</b>	6.8V - 6.9V at 25°C (77°F)
<b>Max discharge current for 5 secretary</b>		49.5A

### Applications

- Lighting Equipment
- Emergency Lighting
- Toys & Consumer Electronics
- Fire Alarm & Security Systems
- Electric Equipment and Telemeter Equipment
- Portable Power Tools, Measuring and Medical Equipment

### Dimensions



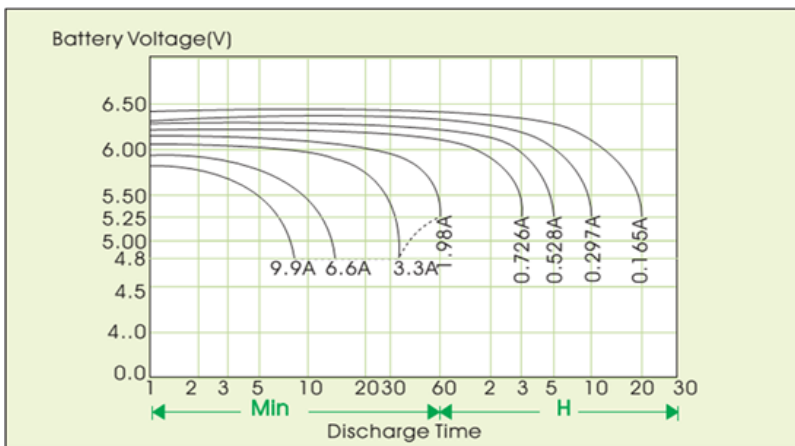
### Order Code

LY11-033-18

Specifications

Final voltage	Time (mm)	5	10	15	20	30	60	120	180	300	600
	<b>1.80VPC</b>	A	8.047	5.893	5.429	3.885	2.998	1.834	1.098	0.705	0.523
	W	44.479	33.547	25.330	22.487	17.367	10.751	6.514	4.732	3.109	1.868
<b>1.75VPC</b>	A	8.462	6.110	5.718	4.073	3.239	1.980	1.141	0.726	0.528	0.297
	W	46.417	35.159	27.932	23.534	18.004	11.395	6.752	4.910	3.227	1.881
<b>1.70VPC</b>	A	9.165	6.473	6.056	4.285	3.300	1.999	1.207	0.882	0.575	0.316
	W	49.019	35.979	29.021	24.425	18.584	11.593	6.930	5.059	3.317	1.891
<b>1.65VPC</b>	A	9.707	6.737	6.305	4.398	3.366	2.022	1.209	0.880	0.576	0.317
	W	51.310	37.026	29.219	25.019	18.753	11.741	7.009	5.099	3.355	1.895
<b>1.60VPC</b>	A	10.315	7.020	6.600	4.521	3.474	2.055	1.231	0.798	0.584	0.323
	W	52.244	37.677	29.771	24.877	18.951	11.821	7.059	5.128	3.376	1.895

Discharge Characteristics



Note: Discharge shall be cut-off at 5.25V if discharge at  $<1C_A$  and at 4.8V if at  $\geq 1C_A$ . It is recommended to recharge battery by constant-voltage charge immediately after use.