

Flush Occupancy Sensor

The Occupancy Sensor is a fully automatic indoor controller capable of controlling up to 2000W incandescent and 1500W fluorescent lighting, using a passive infrared sensor which reacts to changes in heat patterns created by movement.

Features; 360° detection angle, Micro detection, Switches up to 6 amps, Linkable LS terminals for common load switching, Recessed ceiling mount.



Product Specification

Technical Details

PIR detection angle 360°
PIR detection range 5m radius major movement 3.0m
Lux level adjustment 30 - 200 Lux
Time delay adjustment 5 Secs to 40 Mins (10 Steps)
6 amps maximum switching load
3 wire connection live / neutral / load
Void depth 70mm minimum
Recommended mounting height 2.2 - 3.0m
Class 2
IP44 rated when installed

Features

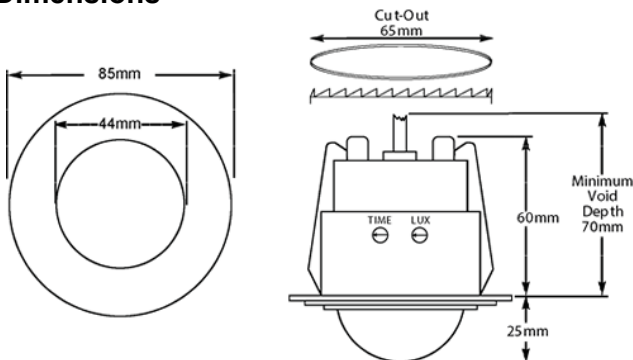
The Occupancy Sensor has two different settings:

Time Adjust:	This function controls how long the light will stay on after motion has been detected. This ranges from 5 seconds - 40 seconds.
LUX Adjust:	This function determines at what light

Order Code

LY15-032-33

Dimensions



Detection Range

