

SL6600 Sleep Watch Keypad Installation Instructions

Description

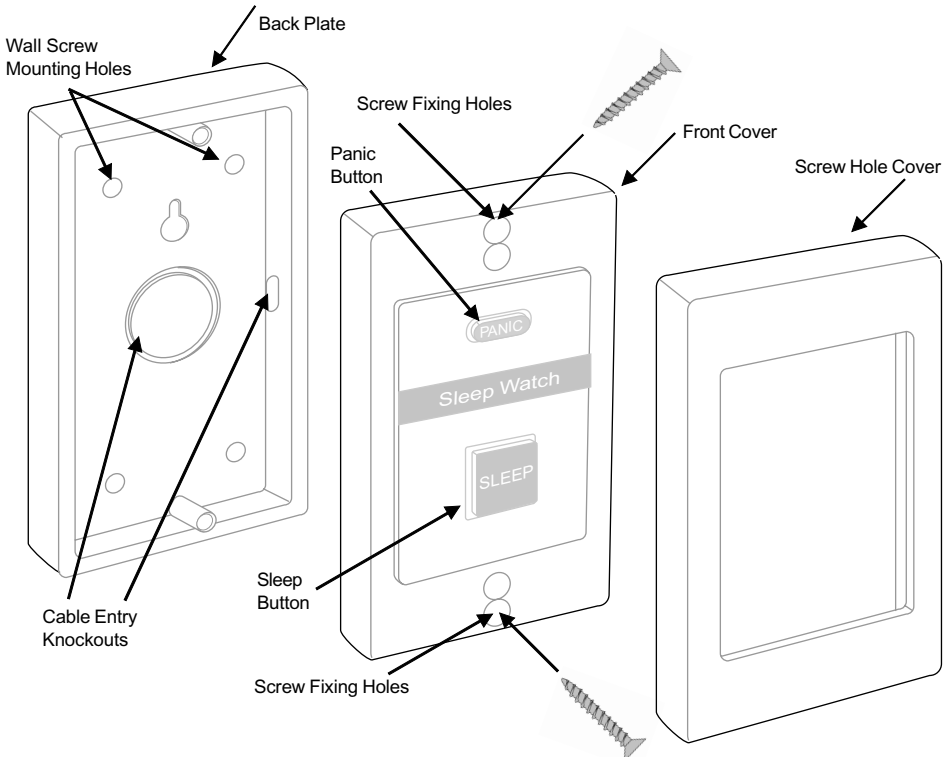
The SL6600 Sleep watch keypads can be connected to both the ST6100 & ST6600 control panel. Up to a maximum of 6 Keypads can be connected to control panel. The keypad features, Intergrated Panic Button, Sleep Button to arm & disarm part guard and sleep watch zones. If zone activated the Sleep Watch Buzzer will indicate which zone in activation, by giving the corresponding number of beeps.

Installation instructions:

- Make sure your hands are clean
- Handle keypad carefully
- Set the addressable configuration jumpers
- Install the keypad in a convent location, where it can easily be reach at night

Mounting onto wall

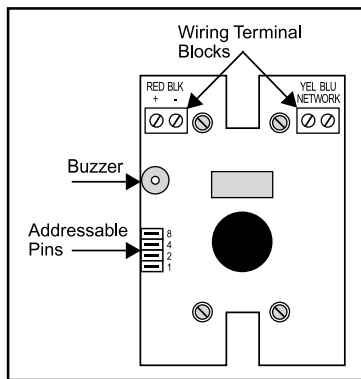
Using the rear keypad plastic case as a template, mark the positions of the mounting holes. The mounting surface must be solid, do not mount onto a flammable or uneven surface. Drill mounting holes and fit wall plugs, before drilling make sure you wear safety goggles and check for hidden cable and pipes.



Wiring Terminal Block

Thread 4 core cable through one of the cable knockouts in the rear plastic casing. Wire according to the following table.

No.	Location	Wire Colour	Description
1	-	BLK(Black)	Negative
2	+	RED(Red)	12 Volts Positive
3	Network	YEL(Yellow)	Data Out
4	Network	BLU(Blue)	Data in



Configuring Address Setting

Each keypad or accessory must have a unique address when connected to the control panel bus. If invalid address set, keypads will not work.

Address Table

1	2	3	4	5	6	7	8	9	10	11	12	13	14	15
008	008	008	008	008	008	008	■ 8	■ 8	■ 8	■ 8	■ 8	■ 8	■ 8	■ 8
004	004	004	■ 4	■ 4	■ 4	■ 4	004	004	004	004	■ 4	■ 4	■ 4	■ 4
002	■ 2	■ 2	002	002	■ 2	■ 2	002	002	■ 2	■ 2	002	002	■ 2	■ 2
■ 1	001	■ 1	001	■ 1	001	■ 1	001	■ 1	001	■ 1	001	■ 1	001	■ 1

Closing Keypad Housing

- 1.) Fit front cover onto back plate.
- 2.) Use the screws supplied to fix the front cover onto back plate.
- 3.) Put screw hole cover onto front plate.

Specifications

Operating Voltage: 12Vdc
 Quiescent Current: 16.7mA
 Wiring: 4 core multi-stranded cable
 7x0.20mm²
 Dimensions: 135mmx108mmx80mm
 Housing Material: ABS Plastic
 Weight: 0.20Kgs

Operating Instructions	Operation	Indication
Activate Panic Button	Press Panic Button Twice Within 5 Seconds. Each Key Press For At Least 1 Second.	Panic Button Flashing, Internal Buzzer Sounds Continuously, Until Control Panel Reset.
Arm Part Guard	Press Sleep Button For 3 Seconds	Sleep Button Illuminates Red
Disarm Part Guard	Press Sleep Button For 3 Seconds	Sleep Button Light Extinguished
Arm Sleep Watch Zones	Press Sleep Button For 1 Second	Sleep Button Illuminates Green
Disarm Sleep Watch Zones	Press Sleep Button For 1 Second	Sleep Button Illuminates Red
Disarm Activated Zone or Sleep Watch Zone	Enter Valid User Code Into Main Unit, Remote K6550 or K6600 Keypad.	Buzzer Gives Corresponding Beeps, Indicating Which Zone Activated.