

- ① Lamp Shade
- ② Photocell Sensor (exclusive for NL881)
- ③ Bulb Holder
- ④ Bottom Housing

INTRODUCTION

NL880 ECONOMIC BULKHEAD LIGHT:

The **NL880** is an illumination which allows you to turn on and off from your existing wall switch manually. It is featured as an economic light to patrol your house area whenever it is needed.

NL881 SMART BULKHEAD LIGHT:

The **NL881** is a smart illumination, which will light up automatically in low light level. From dusk to dawn, the built-in photocell sensor ensures the light to stay on continuously all through the night. During the daylight, it switches off automatically to save energy.

Fully weatherproof design makes NL880/NL881 suitable for both outdoor and indoor uses. Alternative bulb selection enhances its flexibility and value added.

SAFETY PRECAUTIONS

- Do not install when it is raining.
- Be sure to switch off power source before installing.
- Make sure that the power wiring comes from circuit with an external 16A miniature circuit breaker for the short circuit protection or a suitable fuse.
- Keep minimum 0.8m away from the lighted objects.
- The unit can be installed only vertically (FIGURE 1a), not horizontally (FIGURE 1b).

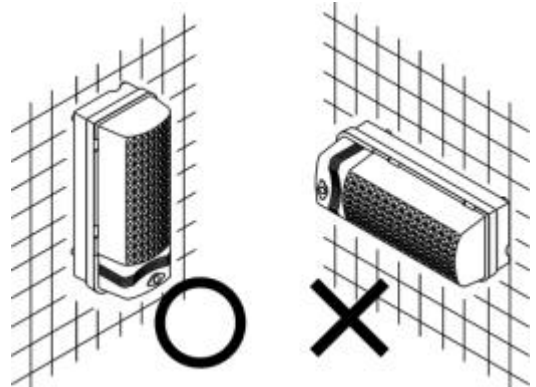


FIGURE 1a

FIGURE 1b

IMPORTANT

Some local building codes may require installation of this product by a qualified electrician.

Check your local codes as they apply to your situation. If the house wiring is of aluminum, consult with an electrician about proper wiring methods.

Maintenance or repairing work such as replacing current fuse shall be done by a qualified electrician or technician.

Before proceeding with the installation, **TURN OFF THE POWER TO THE LIGHTING CIRCUIT AT THE CIRCUIT BREAKER OR FUSE BOX TO AVOID ELECTRICAL SHOCK.**

CHOOSING A MOUNTING LOCATION

- For the best results, fix your light on a solid surface, 1.8~2.5M above the ground.
- For outdoor installation, a location under eaves is preferable.

BULB INSTALLATION

- (1) Remove the lamp shade.
- (2) Insert an incandescent or a PL bulb to the bulb holder by turning clockwise.

Note : Do not use an incandescent bulb rated higher than 60W or alternatively 13W for a PL bulb.

INSTALLATION

To facilitate installation, it is essential to get a drill and a screwdriver ready.

Install a wall switch adjacent to the power source (FIGURE 2a & 2b). This will help you turn on or off the NL880 or turn off the NL881 at night if required.

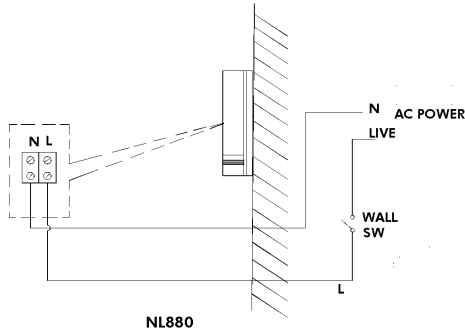


FIGURE 2a

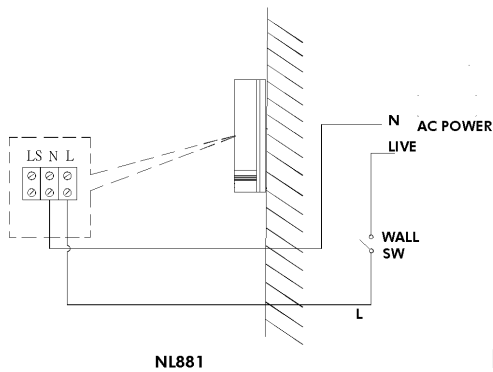


FIGURE 2b

WIRING INSTRUCTION

- (1) Switch off the power source or wall switch.
- (2) Use a flat screwdriver to hinge off the lamp shade from its bottom housing (FIGURE 3).

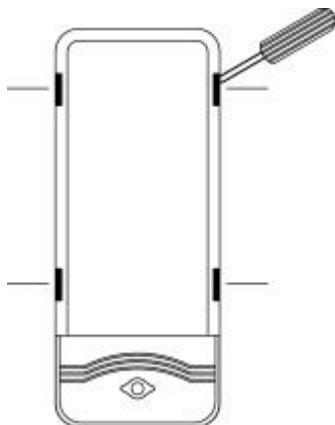


FIGURE 3

- (3) Use a screwdriver to break a small hole on the cable gasket and route the power cord along the groove to go through the cable gasket hole (FIGURE 4a & 4b).

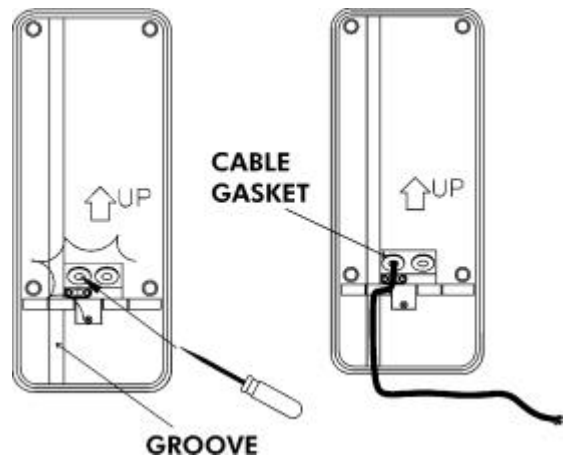


FIGURE 4a

FIGURE 4b

Note: The power cord and interconnecting cord must meet H05RN-F, 3G, 1.0mm² requirement.

- (4) The terminal block is put in a cavity besides the bulb holder. Unscrew the screw from the terminal block cover and remove the terminal block cover (FIGURE 5a, 5b, 5c & 5d).

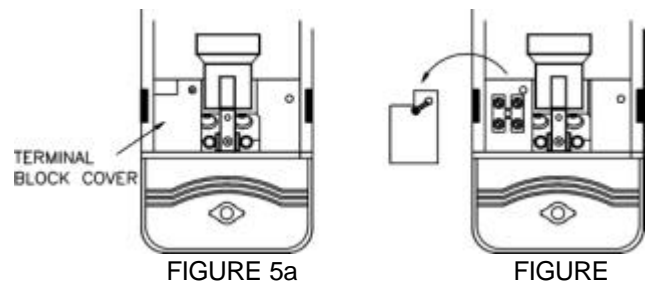


FIGURE 5a

FIGURE 5b

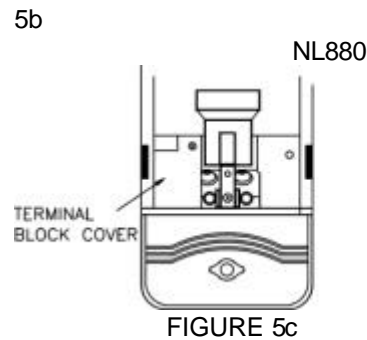


FIGURE 5c

FIGURE 5d



FIGURE 5e

FIGURE 5f

- (4) Connect the BROWN wire (Live wire) to the terminal block "L" mark. Connect the BLUE wire (Neutral wire) to the terminal block "N" mark (FIGURE 6a & 6b). After wiring, replace terminal block and block cover back to the original place.

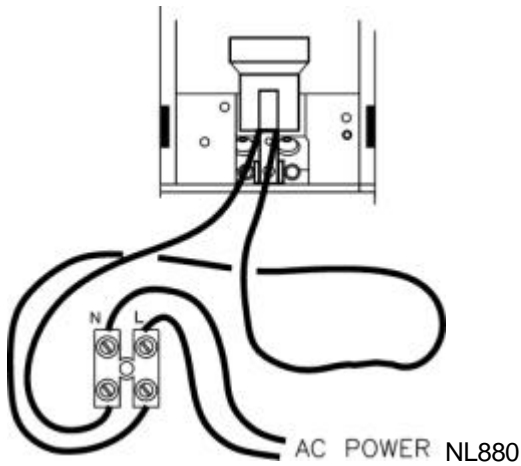


FIGURE 6a

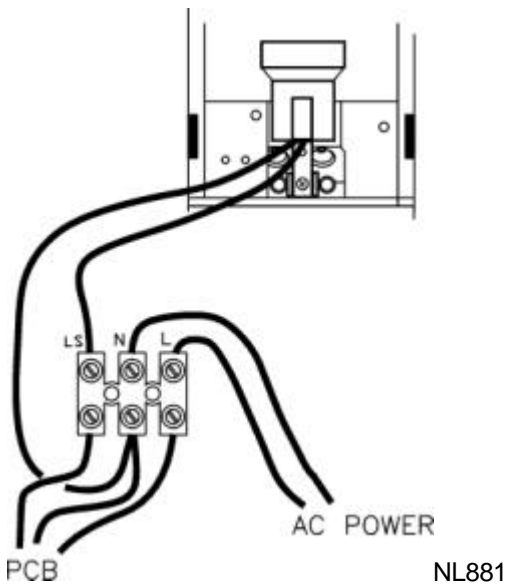
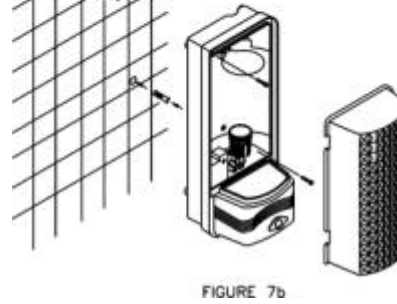
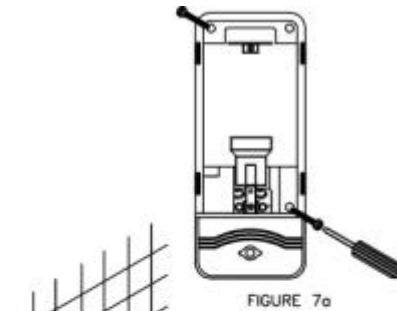


FIGURE 6b

- (5) Drill two holes on the bottom housing using the two screws provided to fix the unit to the wall.

Note: Ensure that the position of two screws to fix on the wall should be inserted diagonally from the brak-thru points and followed exactly according to the drawings shown (FIGURE 7a & 7b).



OPERATION

- (1) Turn on the wall switch or power source. If NL880 lights up, it implies that the unit is working properly.
- (2) For NL881, turn on the wall switch or power source. It will light up for about 15 seconds as 'warm-up' period regardless of daylight or at night. After expiration of the warm-up period, it will enter into AUTO status. When the surrounding light level is less than 50 Lux, the light will automatically switch on; if the light level exceeds 50 Lux, the light will automatically switch off.

TROUBLE SHOOTING

Mode No	NL880	NL881
Symtom		
Light remains on	Check if the wall switch does not turn off	It is normal if the ambient light level is lower than 50 Lux
Light does not turn on	Make sure that the bulb has not burned out	Make sure that the bulb has not burned out
	Be sure that you have connected power to the unit	Be sure that you have connected power to the unit
	Confirm that you have made a correct wiring connection	Confirm that you have made a correct wiring connection
	Make sure that the wall switch does turn on	Make sure that the wall switch does turn on
Others	The specification of protective shield shall consult to local service agent.	The specification of protective shield shall consult to local service agent.

SPECIFICATIONS	
Power Requirement	AC 220 ~ 240V / 50Hz
Power Cord Requirement	H05RN-F, 3G, 1.0mm ²
Lighting Load	Max. 60W Halogen Bulb or 13W PL Bulb
Mounting Height	Recommended 1.8 ~ 2.5M (5.9 ~ 8.2 Ft) Wall Mount
Wall Switch Control	On / Off
Sensor Operation	Auto (exclusive for NL881)
Lux Level for Auto Illumination	Below 50 Lux (exclusive for NL881)
Operating Temperature	-20°C ~ +40°C
Warm Up Time	About 1 min
Protection Class	Class II
Protection Degree	IP44
Safety	CE, GS



INN880EVSPEB