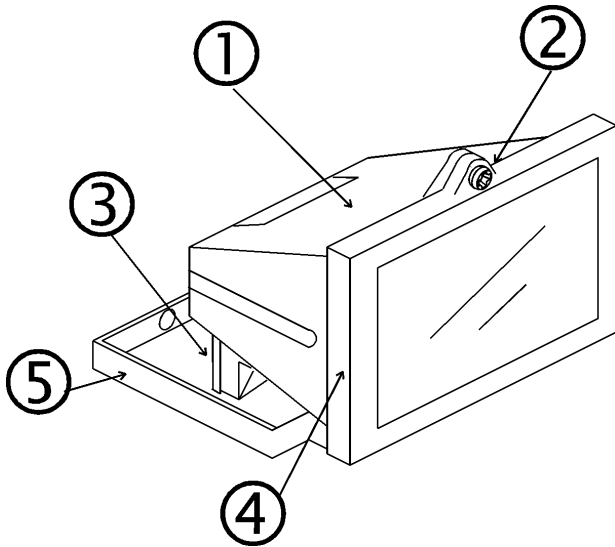


SA122

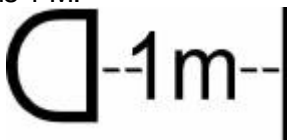
WALL MOUNTED 500W HALOGEN FLOODLIGHT



- ① Floodlight
- ② Cover Screw
- ③ Junction Box
- ④ Glass Cover
- ⑤ Mounting Bracket

SAFETY PRECAUTIONS

- The device is designed for indoor/outdoor usage.
- Do not operate the unit with wet hands or while standing on a wet or damp surface.
- Avoid operating the Floodlight or leaving power cord in standing water which may lead to a fatal shock.
- Do not remove the wire guard or tempered glass while the Floodlight is ON.
- Keep away from flammable objects and handle with care.
- If a new glass is replaced, use only tempered glass of equal thickness.
- If an extension cord is needed, a 3 prong grounded plug must be featured.
- Follow strictly the regulations when connecting the electrical system to this Floodlight.
- Minimum safe distance to flammable areas is 1 M.



IMPORTANT

Some local building codes may require installation of this product by a qualified electrician.

Check your local codes as they apply to your situation. If the house wiring is of aluminum, consult with an electrician about proper wiring methods.

Before proceeding with the installation, TURN OFF THE POWER TO THE LIGHTING CIRCUIT AT THE CIRCUIT BREAKER OR FUSE BOX TO AVOID ELECTRICAL SHOCK.

CHOOSING A MOUNTING LOCATION & WIRING REQUIREMENT

- (1) Select a location for the unit either on a wall or eaves at a height of 1.8~2M above the ground to prevent tampering.
- (2) Install a wall switch adjacent to power source. (FIGURE 1)

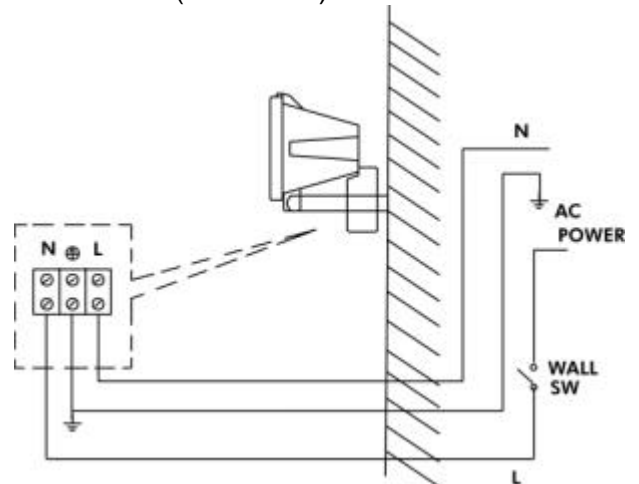


FIGURE 1

- (3) Switch off the power source.
- (4) Remove the mounting bracket from the floodlight. Drill the wall and screw the bracket onto the wall using suitable plastic wall plugs and screws.
Note: Do not at this stage re-attach the floodlight to the bracket.
- (5) Unscrew two screws at the rear of junction box then remove junction's box back plate.
- (6) Loosen two screws on the pressure block. (FIGURE 2)

PRESSURE BLOCK

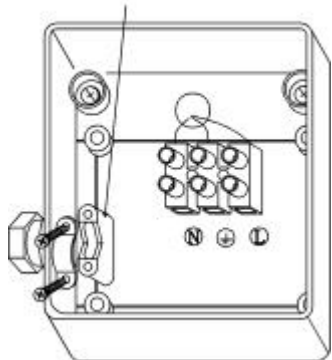


FIGURE 2

(7) Route the power cord through the cable gland and pressure block. (FIGURE 3)

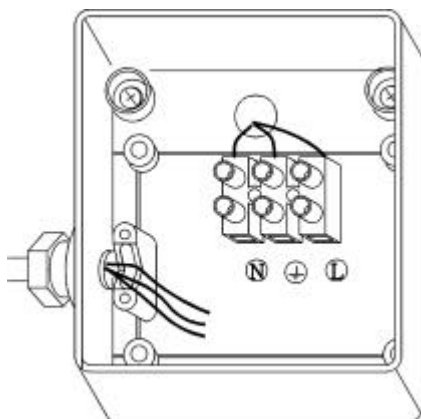


FIGURE 3

(8) Strip approx. 6-8mm insulating part of the wires from the power cord.

(9) Connect the **BROWN** wire to the terminal block “ L “ mark (Live wire).

Connect the **BLUE** wire to the terminal block “ N “ mark (Neutral wire)

Connect the **YELLOW/GREEN** wire to the

terminal block “  “ mark (Ground wire).(FIGURE 4)

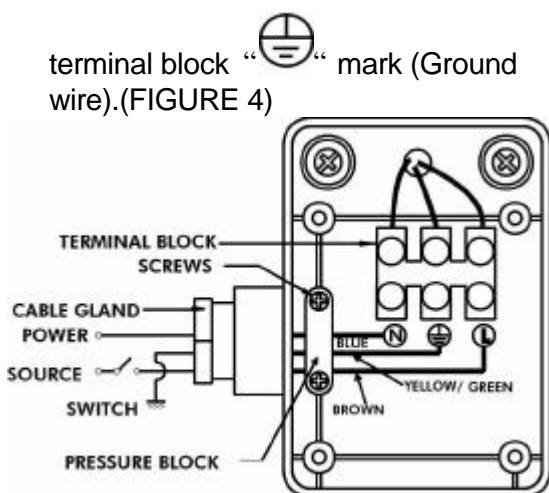
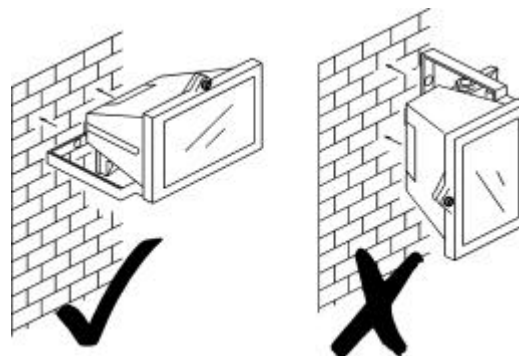


FIGURE 4

(10) Use the pressure block and its two screws to fix the power cord, then cover back the back plate.

(11) Secure the Floodlight with its mounting bracket using the screws provided.

Note: The Floodlight can be installed only horizontally (see the FIGURE 5a), not Vertically (see the FIGURE 5b).



HORIZONTAL

VERTICAL

FIGURE 5a & 5b

BULB INSTALLATION

CAUTION : Always handle quartz halogen bulbs with a soft cloth. Do not touch the bulb with your bare hand as it will shorten the life of the bulb.

- (1) Do not touch the Floodlight while it is in use or still hot. Allow it to cool (about 5 minutes) before touching it.
- (2) Do not use halogen bulb rated higher than 500 watts.
- (3) Disconnect the power cord or wall switch and then remove cover screw on the top of the unit to open.
- (4) Remove the glass cover. The cover is mounted on hinges and will swing open.
- (5) Install bulb by inserting one end first and depressing until enough clearance is gained to seat the other end of the socket. Rotate halogen bulb to assure proper seating.
- (6) To change a new bulb, lift one end of the bulb to remove. Install a new bulb with the same steps above.

TROUBLESHOOTING

Lights do not light on at all.

- Check power supply.
- Make sure that the bulbs have not burned out.
- Check all wiring and connections.

Others

- The specification of protective shield shall consult to local service agent.

SPECIFICATIONS

Power Requirement	AC 220 ~ 240V/ 50Hz
Lighting Load	Max. 500W Halogen Bulb
Waterproof	IP44
Protection Class	Class I
Power Cord Requirement	H05RN-F, 3G, 1.0mm ²
Swiveling Angle	Vertical 90°